

Rev. 05/28/08

Features & Options



- Bendable Copper Sensing Plate (Clamp-On Strap)
- Spring Loaded Sensor Pad (Spring-Loaded Strap)
- Double Encapsulated Sensors
- Etched Teflon Leadwires
- Wide Selection of Temperature Sensing Elements
- Limited Lifetime Warranty

Clamp-On Strap and Spring-Loaded Strap Units are designed to monitor water temperature in retrofit or filled pipe applications. These units simply fit around the outside of a pipe, greatly reducing installation cost. Each unit has a potted sensing pad that measures the water temperature by sensing the surface temperature of the pipe. Both units have etched Teflon leadwires and double encapsulated sensors, and come with a standard Junction Box enclosure. Clamp-On Strap units are also available with the watertight BAPI-Box (-BB) enclosure which is made of UV-resistant polycarbonate and carries an IP66 rating.

Clamp-On Strap

This unit has a bendable copper sensing plate which forms to the curvature of the pipe. An adjustable hose clamp is used to firmly hold the unit in place around the pipe.

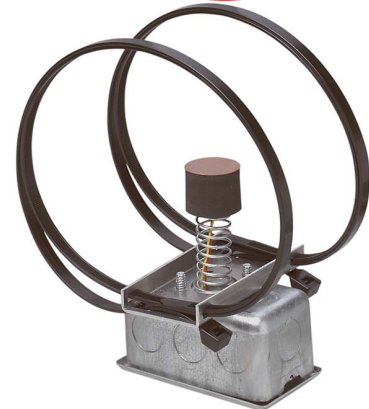
Spring-Loaded Strap

This unit is designed as a labor-saver. Instead of removing the insulation around the pipe, the spring loaded sensing pad is held against the pipe through a hole cut in the insulation. The unit can be used with pipes having up to 2" of insulation.

For detailed specifications on the individual Sensors & Transmitters, turn to the "Sensors" section.



Clamp-On Strap Unit with J-Box



Spring-Loaded Strap Unit with J-Box



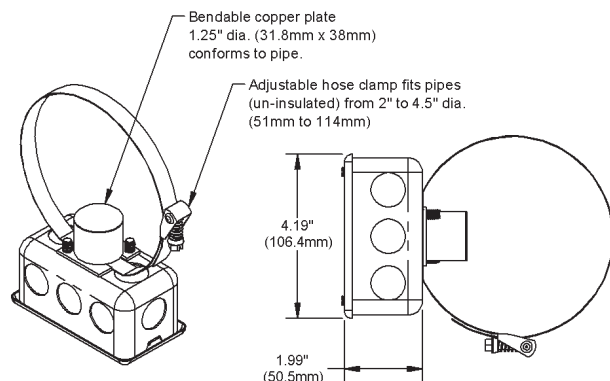
*Some items may not be CE compliant, call BAPI for additional information.

Specifications

Enclosure Material: Galv. Steel

Environmental Operation Range:

Humidity: 0 to 95%, non-condensing



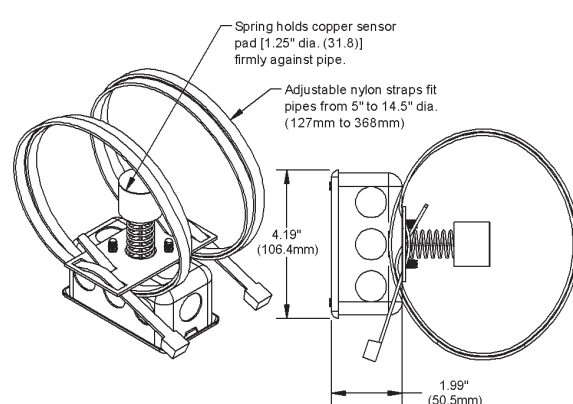
Clamp-On Strap Unit

Environmental Operation Range:

Temperature:

Clamp On Unit: -65 °C to 100 °C

Spring Loaded: -40 °C to 85 °C



Spring-Loaded Strap Unit