

Rev. 05/28/08

### Features & Options

- Quick-Response Sensor
- Etched Teflon Leadwires
- Well-Vented, Light-Colored Sensor Guard
- Three Enclosure Styles
- Wide Selection of Temperature Sensing Elements
- Limited Lifetime Warranty



Outside Air Unit with Weather Tight (EU) Enclosure



Outside Air Unit with Weatherproof (WP) Enclosure



Outside Air Unit with BAP-Box (BB) Enclosure



Outside Air Units are designed to be mounted outdoors. The 5/4" UV-resistant plastic shield keeps the sensor out of the sunlight and allows for excellent air circulation. The Outside Air Unit comes standard in a Weather Tight (EU) UV-resistant enclosure which carries an IP 66 rating (similar to NEMA 4X) and is light in color to reflect sunlight and minimize reading error. Outside Air Units are also available in a cast aluminum Weatherproof (WP) enclosure which carries a NEMA 3R rating or a BAPI-Box (BB) which is made of UV-resistant polycarbonate and carries an IP66 rating. BAPI also offers optional liquid-tight fittings. For a comparison of the enclosure styles, please see the App. Notes section.

All Outside Air Units have etched Teflon leadwires and can withstand high humidity and condensation and perform under real world conditions. This is especially important in an outside air application which can be exposed to rain, snow and large temperature swings.

### Sealant Filled Connectors



Twist-on (above)  
Crimp-on (below)

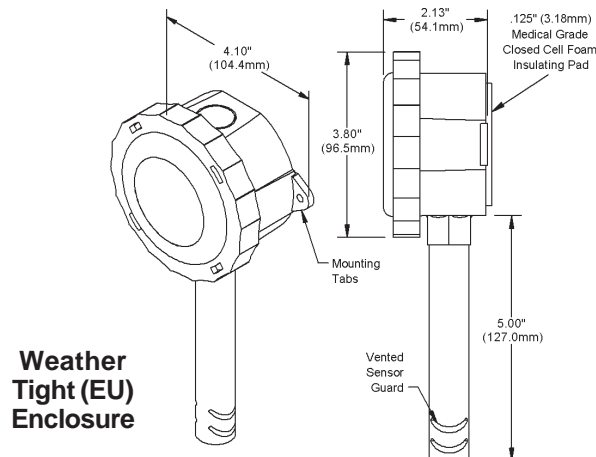


Our Sealant Filled Connectors contain a moisture-excluding sealant which encapsulates the electrical connection and adds an extra layer of protection against moisture and oxidation. For more info, see the Accessories Section.

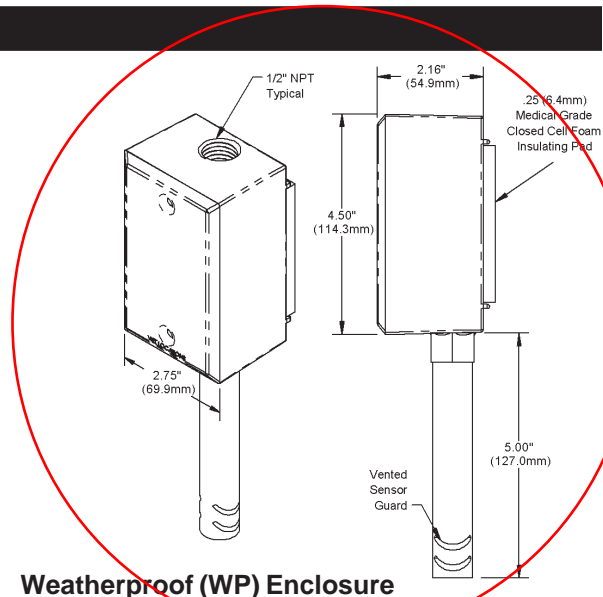
**For detailed specs on the individual Sensors & Transmitters, turn to the "Sensors" Section.**

\*Some items may not be CE compliant, call BAPI for additional information.

### Specifications



Weather Tight (EU) Enclosure



Weatherproof (WP) Enclosure