

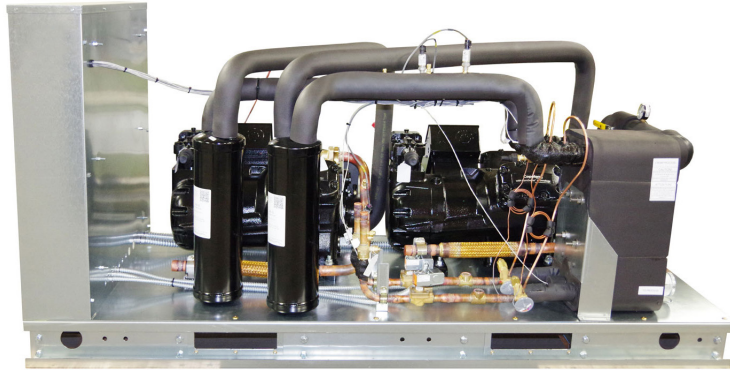
# PRODUCT DATA SHEET

Model: **IESA25D**  
*Split-System Air-Cooled*  
*25 Ton Chiller*

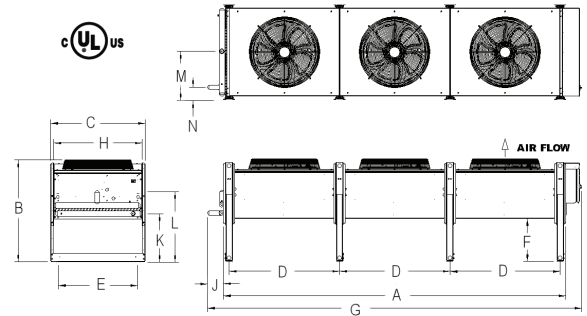


**Legacy Chiller Systems**  
851 Tech Drive  
Telford, PA 18969  
**Toll-Free: (877) 988-5464**

**STANDARD ON ALL LEGACY CHILLER MODELS:**  
Pentra Microsmart, Programmable Logic Controller (PLC)  
with HMI Touch Screen Display.  
(Located on front side of electrical cabinet)



Indoor Chiller



Outside Condenser

*\*Includes (Model OC25D)*  
*3 Fan – Outdoor Condenser*

## Standard Features:

- ETL listed to UL1995 & CAN/CSA C22.2 No. 236-11, 4th edition, 10/14/2011
- Single Point Power Connection
- Pentra Microsmart, Programmable Logic Controller (PLC) with easy to use HMI touch screen display
- Data Recording Memory Card
- **STAINLESS STEEL**, brazed plate evaporator
- **SEMI-HEMETIC** compressor with crankcase heater and vibration spring mounting kit
- Compressor discharge and suction pipe vibration eliminators
- Suction Accumulator
- Liquid sight-glass, solenoid, TXV and replaceable core drier
- Water flow switch
- 24V control transformer
- Fan cycle control (+40°F)
- Direct drive condenser fan motor
- Rust resistant, high CFM, aluminum condenser fan blade
- Condenser(s): copper tube/aluminum fin, Floating Tube™
- **5 year condenser warranty against tube sheet leaks**
- Compressor motor contactor
- Individual condenser motor contactors and fusing
- Condenser control panel with factory mounted door interrupt disconnect switch
- Galvanized steel sheet metal cabinet
- 1/2 inch insulation on all water and refrigerant lines
- Operating Refrigerant charge from factory
- **Factory Performance Test prior to shipment**



**Easy to Use**  
**Touch Screen Display**  
**on all Legacy Chiller**  
**Models**

## Options:

- Compressor Cylinder Unloading
- Remote Idec touchscreen control panel
- Industrial VPN Router
- 5 Port Ethernet Switch
- BacNet Gateway
- Process Pump VFD Controller
- 4 year extended compressor warranty
- 115 volt (rain tight) service outlet
- Non Fused Disconnect
- Phase Monitor, line voltage monitor offering protection against phase loss/reversal, unbalance and hi/lo voltage
- Compressor fusing
- Compressor Sound Cover
- Flooded cond. w/receiver/head pressure control (0°F)
- Heated, flooded cond. w/receiver/head pressure control (-20°F)
- Factory installed evaporator heat tape freeze protection
- Fused, STAINLESS STEEL process pump
- Dual process pump with manual changeover
- Dual process pump with auto changeover
- Pump suction isolation valve
- Water pressure gauge set
- Water Flow Meter
- Copper finned condenser coil (coastal protection)
- BohnGuard™ coated condenser coil (coastal protection)
- Epoxy or Phenolic coated fins (coastal protection)
- Door Mounted HMI with weather proof cover

# PRODUCT DATA SHEET

Model: **IESA25D**  
*Split-System Air-Cooled*  
*25 Ton Chiller*



**Legacy Chiller Systems**  
 851 Tech Drive  
 Telford, PA 18969  
 Toll-Free: (877) 988-5464

## Dimensional & Electrical Table (Dual Circuit)

Chiller Models	Length Inches	Width Inches	Height Inches	Power			Compressor		RLA ea.	LRA ea.	Fan Motor		MCA	M.O.P	Chiller Fluid Conn.	Weight Pounds
				Voltage	Phase	Freq.	Qty.	HP			Qty.	FLA.				
IESA25DF5	85	34	62	208/230V	3	60Hz	2	15	53.5	275	3	7	150	175	2" MPT	1400
IESA25DH5				460V	3	60Hz			26.0	138		3.5	70	90		
IESA25DI5				575V	3	60Hz			21.2	110		2.8	60	70		

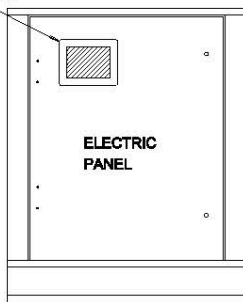
## Outside Condenser Specs (OC)

Outside Condenser	Length Inches	Width Inches	Height Inches	Fan Motor		Refrigerant Conn.		Weight Pounds
				Qty.	HP	Discharge	Liquid	
<b>OC25D</b>	180	45.56	49.13	3	1.5	1 1/8"	5/8"	930

## Capacity Table (Refrigerant R407C)

Model	Compressor	LWT °F	80°F			90°F			95°F			100°F			105°F		
			TONS	KW	EER	TONS	KW	EER	TONS	KW	EER	TONS	KW	EER	TONS	KW	EER
25D	3DS3R17ME	42.0	28.0	25.8	10.3	26.0	28.3	8.9	25.1	29.4	8.3	24.2	30.6	7.7	23.3	31.7	7.2
		44.0	29.3	26.0	10.7	27.2	28.5	9.2	<b>26.2</b>	<b>29.8</b>	<b>8.6</b>	25.3	31.0	8.0	24.3	32.2	7.4
		45.0	30.7	26.1	10.9	27.8	28.7	9.4	26.8	29.9	8.7	25.8	31.2	8.1	24.8	32.4	7.5
		50.0	33.2	26.4	12.0	30.8	29.2	10.2	29.6	30.6	9.5	28.5	32.0	8.8	27.4	33.3	8.1

Control Touch Screen



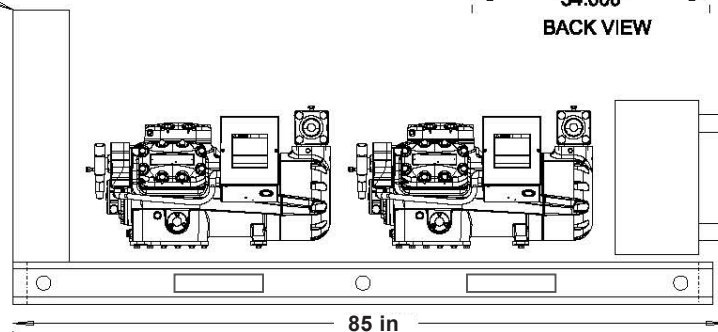
*\*Includes (Model OC25D)*  
*3 Fan – Outdoor Condenser*



FRC

ELECTRIC PANEL

45 in



SIDE VIEW

34.000  
 BACK VIEW

FLUID INLET

FLUID OUTLET