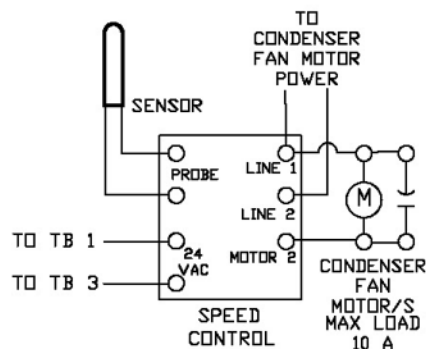


SPEED CONTROL  
ADJUSTMENTS MUST BE  
SET WITHIN THE SHADED  
AREA SHOWN ON THIS  
DRAWING

**SENSOR PLACEMENT**

ON UNITS WITH 1  
CONDENSER COIL PER  
CIRCUIT: ATTACH THE  
SENSOR TO THE  
REFRIGERANT LIQUID LINE  
AS CLOSE TO THE  
CONDENSER AS POSSIBLE.  
APPLY INSULATION AROUND  
THE SENSOR.



ON UNITS WITH 2  
CONDENSER COILS PER  
CIRCUIT: ATTACH THE  
SENSOR TO THE  
REFRIGERANT LIQUID LINE  
AT THE TEE WHERE THE 2  
LINES MEET. APPLY  
INSULATION AROUND THE  
SENSOR.

VARIABLE SPEED FAN CONTROLS



SCHMATIC WIRING DIAGRAM FOR  
VARIABLE SPEED FAN CONTROLS

DRAWN BY	DATE	JOB NUMBER	DRAWING SEQUENCE
SLOAN	7/15/2003		1 OF 1
REVISION #	00	DATE: 00/00/00	DRAWING NUMBER D00572