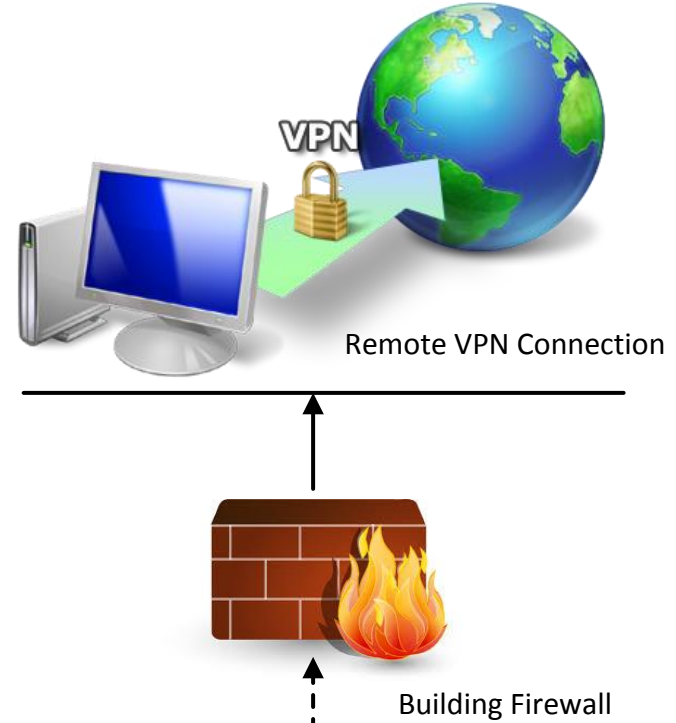
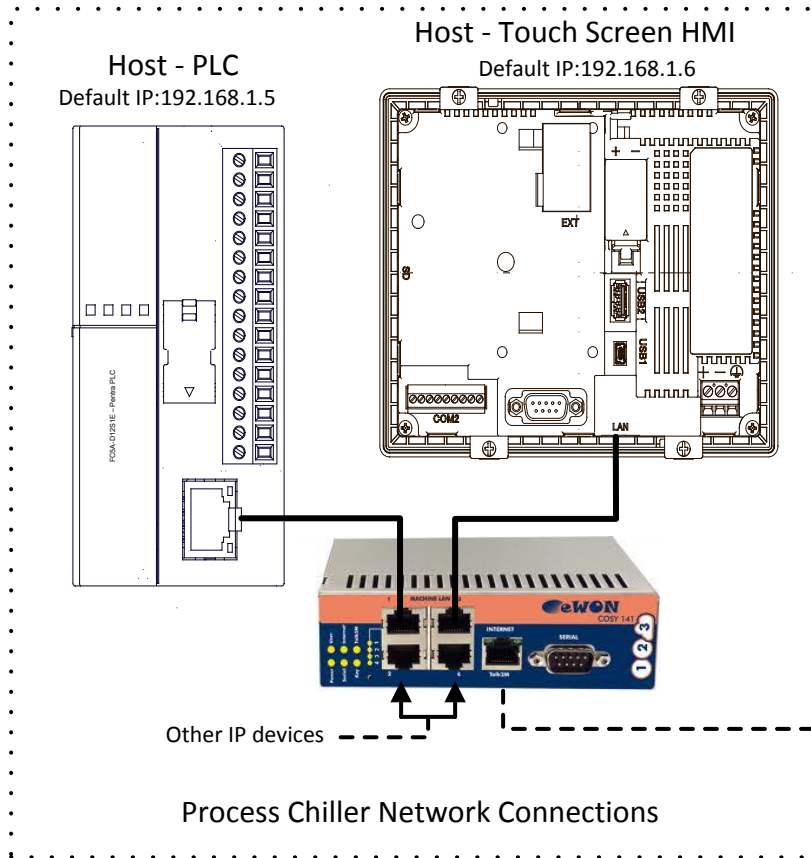



EWON - VPN configuration



Comments: 1. Dashed network connections (Standard CAT 5/6 Ethernet cable) provided by others. 2. Once the remote VPN connection has been established (via EWON's free single user eCatcher software), user can access and control the chillers HOST HMI from inside or outside the buildings subnet using Firefox or Internet Explorer. 3. IMPORTANT: Using the EWON secure VPN server, limited (typically no) building network firewall configuration is required. 4. Using EWON, the chillers HOST PLC/HMI can utilize their default IP addresses retaining Legacy's complimentary software update program. The EWON option is an excellent choice for both security and ease of setup. 5. EWON's standard version of eCatcher only allows one connection to remote VPN server at a time.

	Networking design subject to change without notice			
	Copyright – 2013, Legacy Chiller Systems, Inc.			
Drawn by: Mking	SIZE NA	FSCM NO NA	DWG NO NA	REV 1
Rev date: 9-28-13	SCALE	NONE	SHEET	1 OF 1