

# PRODUCT DATA SHEET

Model: **PSA25D**

*Packaged Air-Cooled  
25 Ton Chiller*



**Legacy Chiller Systems**

851 Tech Drive  
Telford, PA 18969

**Toll-Free: (877) 988-5464**

**STANDARD ON ALL LEGACY CHILLER MODELS:**  
Pentra Microsmart, Programmable Logic Controller (PLC)  
with HMI Touch Screen Display.  
(Located inside front electrical cabinet)



## **Standard Features:**

- **ETL listed** to UL1995 & CAN/CSA C22.2 No. 236-11, 4th edition, 10/14/2011
- **Single Point Power Connection**
- **Pentra Microsmart, Programmable Logic Controller (PLC) with easy to use HMI touch screen display**
- **STAINLESS STEEL**, brazed plate evaporator
- **SEMI-HEMETIC** compressor with crankcase heater and vibration spring mounting kit
- Compressor discharge and suction pipe vibration eliminators
- Suction Accumulator
- Liquid sight-glass, solenoid, TXV and replaceable core drier
- Water flow switch
- 24V control transformer
- Fan cycle control (+40°F)
- Direct drive condenser fan motor
- Rust resistant, high CFM, aluminum condenser fan blade
- Condenser(s): copper tube/aluminum fin, Floating Tube™
- **5 year condenser warranty against tube sheet leaks**
- Compressor motor contactor
- Individual condenser motor contactors and fusing
- Condenser control panel with factory mounted door interrupt disconnect switch
- Galvanized steel sheet metal cabinet
- 1/2 inch insulation on all water and refrigerant lines
- Operating Refrigerant charge from factory
- **Factory Performance Test prior to shipment**
- **Extended warranty:** See your quote or latest IOM booklet revision



**Easy to Use  
Touch Screen Display  
on all Legacy Chiller  
Models**

## **Options:**

- **Remote Idec touchscreen control panel**
- **Industrial VPN Router**
- **5 Port Ethernet Switch**
- **BacNet Gateway**
- **Process Pump VFD Controller**
- 4 year extended compressor warranty
- 115 volt (rain tight) service outlet
- Non Fused Disconnect
- Phase Monitor, line voltage monitor offering protection against phase loss/reversal, unbalance and hi/lo voltage
- Compressor fusing
- Compressor Sound Cover
- Flooded cond. w/receiver/head pressure control (0°F)
- Heated, flooded cond. w/receiver/head pressure control (-20°F)
- Factory installed evaporator heat tape freeze protection
- Fused, STAINLESS STEEL process pump
- Dual process pump with manual changeover
- Dual process pump with auto changeover
- Pump suction isolation valve
- Water pressure gauge set
- Water Flow Meter
- Copper finned condenser coil (coastal protection)
- BohnGuard™ coated condenser coil (coastal protection)
- Epoxy or Phenolic coated fins (coastal protection)
- Door Mounted HMI with weather proof cover

# PRODUCT DATA SHEET

Model: **PSA25D**  
*Packaged Air-Cooled*  
*25 Ton Chiller*



**Legacy Chiller Systems**  
 851 Tech Drive  
 Telford, PA 18969  
**Toll-Free: (877) 988-5464**

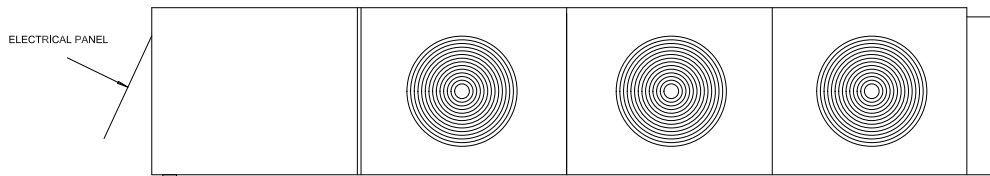
## Dimensional & Electrical Table (Dual Circuit)

Chiller Models	Length Inches	Width Inches	Height Inches	Power			Compressor		RLA ea.	LRA ea.	Fan Motor		MCA	M.O.P	Chiller Fluid Conn.	Weight Pounds
				Voltage	Phase	Freq.	Qty.	HP			Qty.	FLA.				
PSA25DF5	230	45.5	55	208/230V	3	60Hz	2	15	53.5	275	3	7	150	175	2" FPT	4000
PSA25DH5				460V	3	60Hz			26.0	138		3.5	70	90		
PSA25DI5				575V	3	60Hz			21.2	110		2.8	60	70		

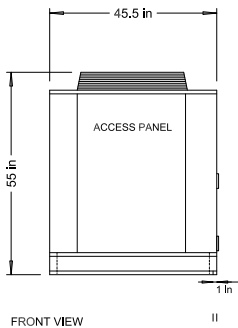
## Capacity Table (Refrigerant R407C)

Model	Compressor	LWT °F	80°F			90°F			95°F			100°F			105°F		
			TONS	KW	EER	TONS	KW	EER	TONS	KW	EER	TONS	KW	EER	TONS	KW	EER
25D	3DS3R17ME	42.0	28.0	25.8	10.3	26.0	28.3	8.9	25.1	29.4	8.3	24.2	30.6	7.7	23.3	31.7	7.2
		44.0	29.3	26.0	10.7	27.2	28.5	9.2	<b>26.2</b>	<b>29.8</b>	<b>8.6</b>	25.3	31.0	8.0	24.3	32.2	7.4
		45.0	30.7	26.1	10.9	27.8	28.7	9.4	26.8	29.9	8.7	25.8	31.2	8.1	24.8	32.4	7.5
		50.0	33.2	26.4	12.0	30.8	29.2	10.2	29.6	30.6	9.5	28.5	32.0	8.8	27.4	33.3	8.1

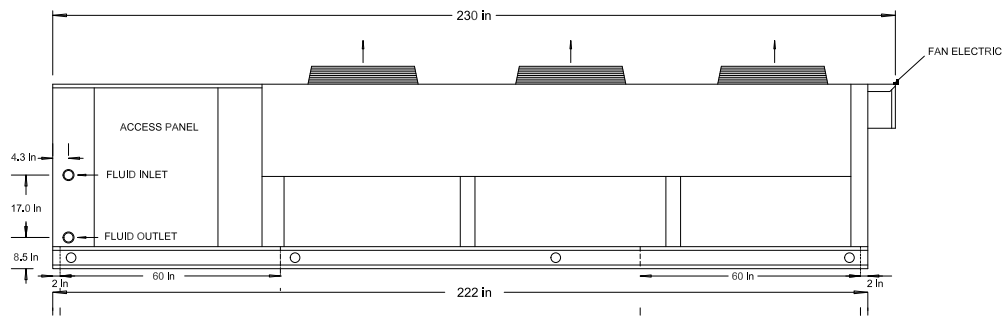
## Product Dimensional Drawing



TOP VIEW



FRONT VIEW



RIGHT SIDE VIEW

Qty 8 Mounting  
 .438 Dia