

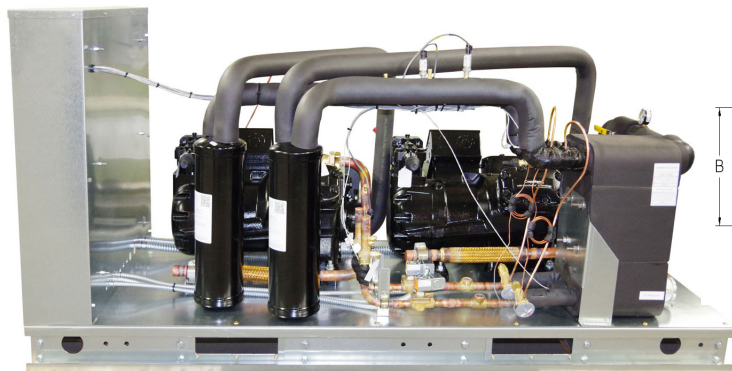
PRODUCT DATA SHEET

Model: **IESA22D**
Split-System Air-Cooled
22 Ton Chiller

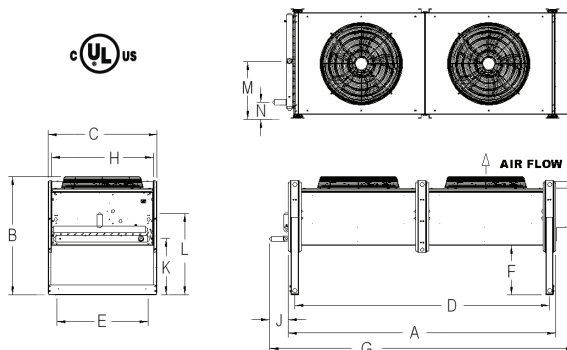


Legacy Chiller Systems
 851 Tech Drive
 Telford, PA 18969
Toll-Free: (877) 988-5464

STANDARD ON ALL LEGACY CHILLER MODELS:
 Pentra Microsmart, Programmable Logic Controller (PLC)
 with HMI Touch Screen Display.
 (Located on front side of electrical cabinet)



Indoor Chiller



Outside Condenser

**Includes (Model OC22D)*
2 Fan – Outdoor Condenser

Standard Features:

- ETL listed to UL1995 & CAN/CSA C22.2 No. 236-11, 4th edition, 10/14/2011
- Single Point Power Connection
- Pentra Microsmart, Programmable Logic Controller (PLC) with easy to use HMI touch screen display
- Data Recording Memory Card
- **STAINLESS STEEL**, brazed plate evaporator
- **SEMI-HEMETIC** compressor with crankcase heater and vibration spring mounting kit
- Compressor discharge and suction pipe vibration eliminators
- Suction Accumulator
- Liquid sight-glass, solenoid, TXV and replaceable core drier
- Water flow switch
- 24V control transformer
- Fan cycle control (+40°F)
- Direct drive condenser fan motor
- Rust resistant, high CFM, aluminum condenser fan blade
- Condenser(s): copper tube/aluminum fin, Floating Tube™
- **5 year condenser warranty against tube sheet leaks**
- Compressor motor contactor
- Individual condenser motor contactors and fusing
- Condenser control panel with factory mounted door interrupt disconnect switch
- Galvanized steel sheet metal cabinet
- 1/2 inch insulation on all water and refrigerant lines
- Operating Refrigerant charge from factory
- **Factory Performance Test prior to shipment**



Easy to Use
Touch Screen Display
on all Legacy Chiller
Models

Options:

- Compressor Cylinder Unloading
- Remote Idec touchscreen control panel
- Industrial VPN Router
- 5 Port Ethernet Switch
- BacNet Gateway
- Process Pump VFD Controller
- 4 year extended compressor warranty
- 115 volt (rain tight) service outlet
- Non Fused Disconnect
- Phase Monitor, line voltage monitor offering protection against phase loss/reversal, unbalance and hi/lo voltage
- Compressor fusing
- Compressor Sound Cover
- Flooded cond. w/receiver/head pressure control (0°F)
- Heated, flooded cond. w/receiver/head pressure control (-20°F)
- Factory installed evaporator heat tape freeze protection
- Fused, STAINLESS STEEL process pump
- Dual process pump with manual changeover
- Dual process pump with auto changeover
- Pump suction isolation valve
- Water pressure gauge set
- Water Flow Meter
- Copper finned condenser coil (coastal protection)
- BohnGuard™ coated condenser coil (coastal protection)
- Epoxy or Phenolic coated fins (coastal protection)
- Door Mounted HMI with weather proof cover

PRODUCT DATA SHEET

Model: IESA22D
Split-System Air-Cooled
22 Ton Chiller



Legacy Chiller Systems
 851 Tech Drive
 Telford, PA 18969
 Toll-Free: (877) 988-5464

Dimensional & Electrical Table (Dual Circuit)

Chiller Models	Length Inches	Width Inches	Height Inches	Power			Compressor		RLA ea.	LRA ea.	Fan Motor		MCA	M.O.P	Chiller Fluid Conn.	Weight Pounds
				Voltage	Phase	Freq.	Qty.	HP			Qty.	FLA.				
IESA22DF5	85	34	62	208/230V	3	60Hz	2	12.5	43.2	275	2	7	125	150	2" MPT	1200
IESA22DH5				460V	3	60Hz			21.2	138		3.5	60	70		

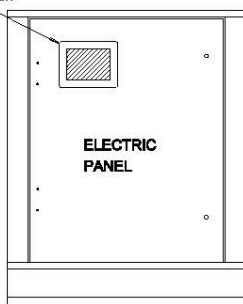
Outside Condenser Specs (OC22)

Outside Condenser	Length Inches	Width Inches	Height Inches	Fan Motor		Refrigerant Conn.		Weight Pounds
				Qty.	HP	Discharge	Liquid	
OC22D	127	45.56	49.13	2	1.5	1 1/8"	5/8"	680

Capacity Table (Refrigerant R407C)

Model	Compressor	LWT °F	80°F			90°F			95°F			100°F			105°F		
			TONS	KW	EER	TONS	KW	EER	TONS	KW	EER	TONS	KW	EER	TONS	KW	EER
22D	3DF3R15ME	42.0	24.8	23.1	10.7	22.9	25.2	9.2	22.1	26.2	8.5	21.2	27.2	7.9	20.3	28.2	7.3
		44.0	25.8	23.3	11.1	24.0	25.5	9.5	23.0	26.6	8.8	22.1	27.6	8.2	21.2	28.6	7.6
		45.0	26.4	23.3	11.3	24.5	24.6	9.6	23.5	26.7	9.0	22.6	27.8	8.3	21.7	28.8	7.7
		50.0	29.4	23.7	12.4	27.3	26.2	10.5	26.2	27.4	9.7	25.1	28.6	8.9	24.1	29.8	8.3

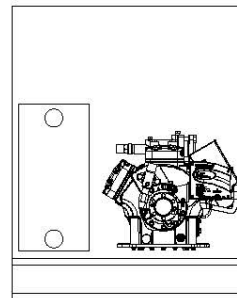
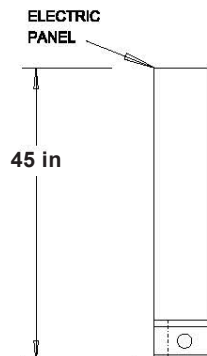
Control Touch Screen



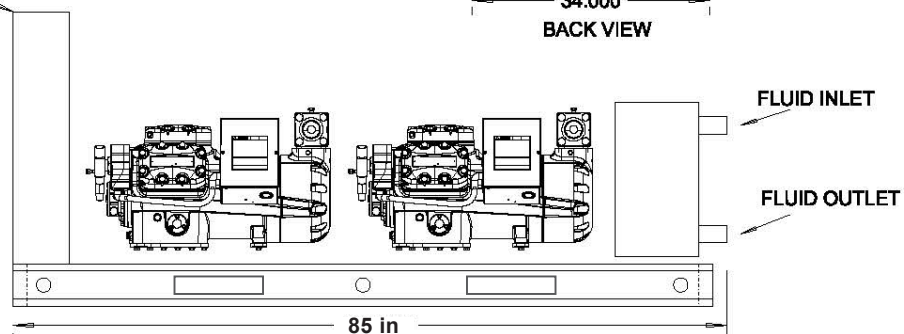
**Includes (Model OC22D)*
2 Fan – Outdoor Condenser



FR



34.000
 BACK VIEW



85 in
 SIDE VIEW