

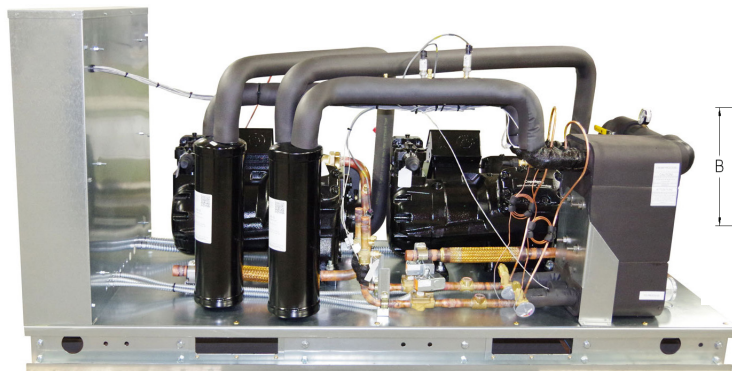
PRODUCT DATA SHEET

Model: IESA19D
Split-System Air-Cooled
19 Ton Chiller

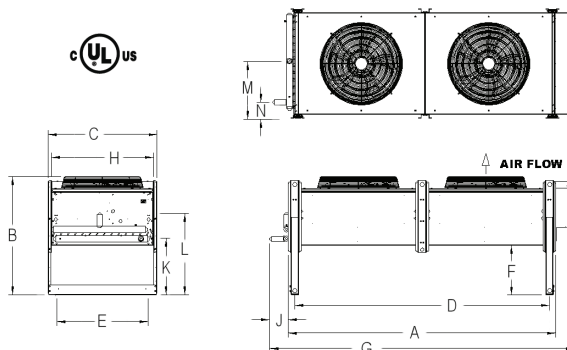


Legacy Chiller Systems
 851 Tech Drive
 Telford, PA 18969
Toll-Free: (877) 988-5464

STANDARD ON ALL LEGACY CHILLER MODELS:
 Pentra Microsmart, Programmable Logic Controller (PLC)
 with HMI Touch Screen Display.
 (Located on front side of electrical cabinet)



Indoor Chiller



Outside Condenser

**Includes (Model OC19D)*
2 Fan – Outdoor Condenser

Standard Features:

- ETL listed to UL1995 & CAN/CSA C22.2 No. 236-11, 4th edition, 10/14/2011
- Single Point Power Connection
- Pentra Microsmart, Programmable Logic Controller (PLC) with easy to use HMI touch screen display
- Data Recording Memory Card
- STAINLESS STEEL, brazed plate evaporator
- SEMI-HEMETIC compressor with crankcase heater and vibration spring mounting kit
- Compressor discharge and suction pipe vibration eliminators
- Suction Accumulator
- Liquid sight-glass, solenoid, TXV and replaceable core drier
- Water flow switch
- 24V control transformer
- Fan cycle control (+40°F)
- Direct drive condenser fan motor
- Rust resistant, high CFM, aluminum condenser fan blade
- Condenser(s): copper tube/aluminum fin, Floating Tube™
- **5 year condenser warranty against tube sheet leaks**
- Compressor motor contactor
- Individual condenser motor contactors and fusing
- Condenser control panel with factory mounted door interrupt disconnect switch
- Galvanized steel sheet metal cabinet
- 1/2 inch insulation on all water and refrigerant lines
- Operating Refrigerant charge from factory
- **Factory Performance Test prior to shipment**



Easy to Use
Touch Screen Display
on all Legacy Chiller
Models

Options:

- Compressor Cylinder Unloading
- Remote Idec touchscreen control panel
- Industrial VPN Router
- 5 Port Ethernet Switch
- BacNet Gateway
- Process Pump VFD Controller
- 4 year extended compressor warranty
- 115 volt (rain tight) service outlet
- Non Fused Disconnect
- Phase Monitor, line voltage monitor offering protection against phase loss/reversal, unbalance and hi/lo voltage
- Compressor fusing
- Compressor Sound Cover
- Flooded cond. w/receiver/head pressure control (0°F)
- Heated, flooded cond. w/receiver/head pressure control (-20°F)
- Factory installed evaporator heat tape freeze protection
- Fused, STAINLESS STEEL process pump
- Dual process pump with manual changeover
- Dual process pump with auto changeover
- Pump suction isolation valve
- Water pressure gauge set
- Water Flow Meter
- Copper finned condenser coil (coastal protection)
- BohnGuard™ coated condenser coil (coastal protection)
- Epoxy or Phenolic coated fins (coastal protection)
- Door Mounted HMI with weather proof cover

PRODUCT DATA SHEET

Model: **IESA19D**
Split-System Air-Cooled
19 Ton Chiller



Legacy Chiller Systems
 851 Tech Drive
 Telford, PA 18969
 Toll-Free: (877) 988-5464

Indoor Chiller Dimensional & Electrical Table (Dual Circuit)

| Chiller Models | Length Inches | Width Inches | Height Inches | Power | | | Compressor | | RLA ea. | LRA ea. | Fan Motor | | MCA | M.O.P | Chiller Fluid Conn. | Weight Pounds |
|----------------|---------------|--------------|---------------|----------|-------|-------|------------|----|---------|---------|-----------|------|-----|-------|---------------------|---------------|
| | | | | Voltage | Phase | Freq. | Qty. | HP | | | Qty. | FLA. | | | | |
| IESA19DF5 | 85 | 34 | 45 | 208/230V | 3 | 60Hz | 2 | 10 | 39.1 | 215 | 2 | 7 | 110 | 125 | 2" MPT | 1100 |
| IESA19DH5 | | | | 460V | 3 | 60Hz | | | 17.9 | 106 | | 3.5 | 50 | 60 | | |
| IESA19DI5 | | | | 575V | 3 | 60Hz | | | 14.8 | 84 | | 2.8 | 40 | 50 | | |

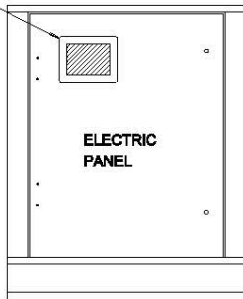
Outside Condenser Specs (OC19)

| Outside Condenser | Length Inches | Width Inches | Height Inches | Fan Motor | | Refrigerant Conn. | | Weight Pounds |
|-------------------|---------------|--------------|---------------|-----------|-----|-------------------|--------|---------------|
| | | | | Qty. | HP | Discharge | Liquid | |
| OC19D | 127 | 45.56 | 49.13 | 2 | 1.5 | 1 1/8" | 5/8" | 630 |

Capacity Table (Refrigerant R407C)

| Model | Compressor | LWT °F | 80°F | | | 90°F | | | 95°F | | | 100°F | | | 105°F | | |
|-------|------------|--------|------|------|------|------|------|------|-------------|-------------|------------|-------|------|-----|-------|------|-----|
| | | | TONS | KW | EER | TONS | KW | EER | TONS | KW | EER | TONS | KW | EER | TONS | KW | EER |
| 19D | 3DB3R12ME | 42.0 | 21.1 | 18.6 | 10.9 | 19.7 | 20.5 | 9.3 | 18.9 | 21.4 | 8.6 | 18.2 | 22.3 | 7.9 | 17.4 | 23.1 | 7.4 |
| | | 44.0 | 22.0 | 18.7 | 11.4 | 20.5 | 20.7 | 9.7 | 19.8 | 21.6 | 9.0 | 19.0 | 22.5 | 8.3 | 18.3 | 23.4 | 7.7 |
| | | 45.0 | 22.5 | 18.7 | 11.6 | 21.2 | 20.7 | 9.9 | 20.2 | 20.7 | 9.2 | 19.4 | 22.7 | 8.5 | 18.7 | 23.6 | 7.9 |
| | | 50.0 | 25.0 | 18.8 | 12.8 | 23.3 | 21.0 | 10.8 | 22.4 | 22.1 | 10.0 | 21.3 | 23.2 | 9.2 | 20.7 | 24.2 | 8.5 |

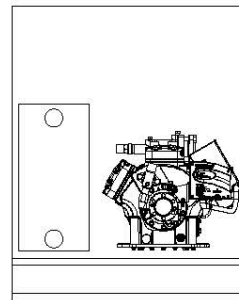
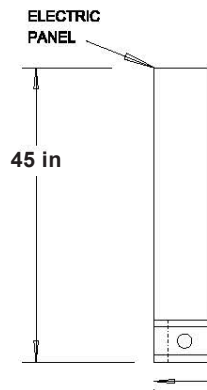
Control Touch Screen



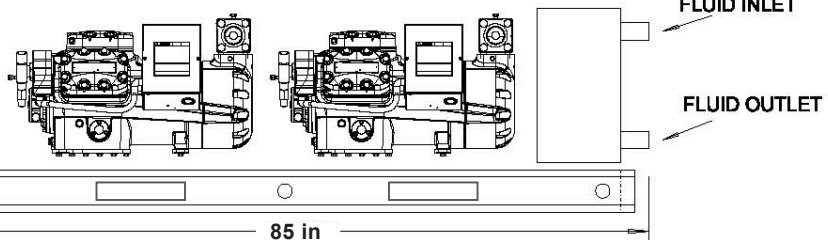
**Includes (Model OC19D)*
2 Fan - Outdoor Condenser



FR



34.000
 BACK VIEW



85 in
 SIDE VIEW